

Body: EN-GJS-400-18-LT (GGG-40.3), three way form for water and steam, as mixing valve (diverted purpose restricted, see page 038 990)
 Pressure range: PN 16, PN 25
 Immersion length acc. to DIN EN 558, basic series 1
 Flanges acc. to DIN EN 1092-2 type 21
 Spindle sealing: spring-loaded PTFE-V-ring unit for media temperatures up to 250°C
 Alternatively: graphite-packing for media temperatures up to 350°C
 Internal parts: stainless steel, replaceable seat rings
 Flow characteristic: linear
 Positioning ratio: 50:1
 Leakage: < 0,01% Kvs

Actuator: with manual emergency operation and load dependent limit switches
 Thrust: 2000 N
 Power input: 12 VA
 Alternatively: 4000 N / 28 VA (appendix ...c)
 5500 N / 28 VA (appendix ...d)
 Power supply: 230V/50...60Hz
 Optionally: 115V/50...60Hz, 24V/50...60Hz, 24VDC
 Motor rating standard acc. to DIN EN 60034-1: S1 – 100%
 Protection class acc. to DIN EN 60529: IP65

Accessories, special types:
 Add. limit switches load dependent (see page 49e)
 Add. signal switches travel dependent (see page 49w)
 Feedback potentiometer (see page 49f)
 Integrated positioner (see page 49sr)
 Integrated process controller (see page 49r)
 Feedback signal 4-20mA / 0-10V
 Actuator heater (on request)
 Other positioning speed (on request)
 Other kvs- values (on request)
 Weld-on ends (on request)
 Flange drillings acc. to ANSI / JIS (on request)

Order text:
 Motor control valve in three way form, with mixing plug
 EN-GJS-400-18-LT (GGG-40.3), PN . . , DN . . , Kvs . . .
 Spindle sealing with PTFE-V-ring unit
 Power supply . . . , closing pressure . . . bar
 List-No. 431 . . . , accessories . . .

Pressure-temperature ratings acc. to DIN EN 1092-2:

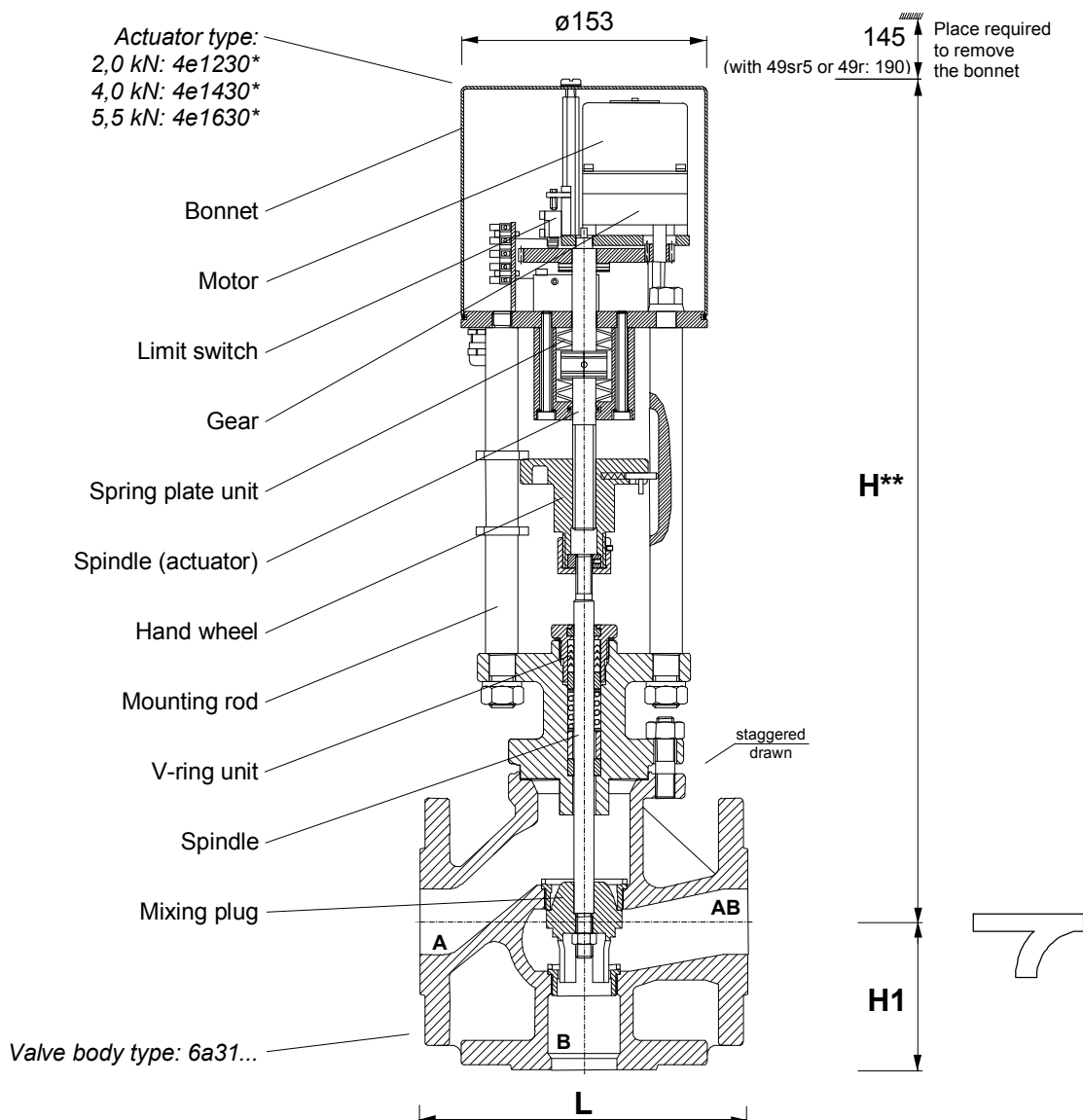
by:	-10...120	150	200	250	300	350	°C*
PN 16	16	15,5	14,7	13,9	12,8	11,2	bar
PN 25	25	24,3	23	21,8	20	17,5	bar

* = max. 250°C for spindle sealing with PTFE-V-ring unit

DN	List-No.		Kvs m³/h	Stroke mm	Pos. time sec	Closing pressure* (bar)		
	PN 16	PN 25				2000N	4000N	5500N
15	431 400	431 500	4	20	66	25,0		
20	431 401	431 501	6,3	20	66	25,0		
25	431 402	431 502	10	20	66	25,0		
32	431 403.	431 503.	16	20	66	17,3	25,0	
40	431 404.	431 504.	25	20	66	10,8	25,0	
50	431 405.	431 505.	40	20	66	6,6	16,0	23,0
65	431 406.	431 506.	63	30	100	3,4	9,1	13,3
80	431 408.	431 508.	100	30	100	2,0	5,8	8,6
100	431 410.	431 510.	160	30	100	1,1	3,5	5,4
125	431 412.	431 512.	230	35	116		2,1	3,3
150	431 415.	431 515.	330	38	126		1,3	2,1

* see page 4315He/f for higher closing pressures.; see page 4314/520Hf/h for DN200, bigger DN on request
 data subject to alteration





DN	15	20	25	32	40	50	65	80	100	125	150
Height H**	491	505	499	506	511	513	556	557	564	720	735
Stud length H1	65	70	75	80	90	100	120	130	150	200	210
Length L	130	150	160	180	200	230	290	310	350	400	480
Weight kg	15	16	17	20	21	24	40	45	58	113	134

* = only for DN 15-100; actuators for DN 125-150: 4e1435 (4kN) and 4e1635 (5,5kN)

** = add. 45mm for actuators with positioner 49sr5 or controller 49r

Electrical wiring:

