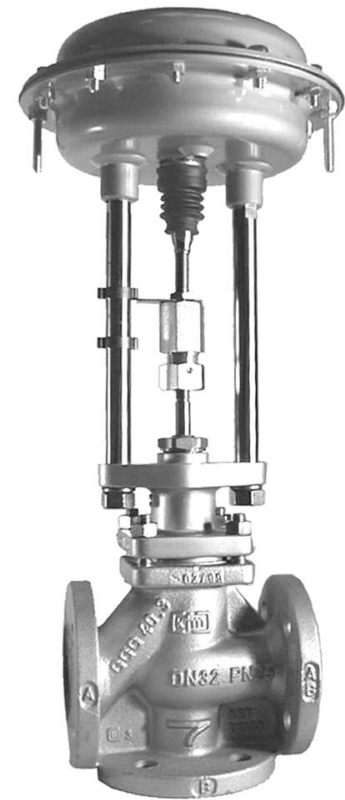


Body: EN-GJS-400-18-LT (GGG-40.3), three way form for water and steam, as mixing valve (diverted purpose restricted, see page 038 990)
 Pressure range: PN 16, PN 25
 Immersion length acc. to DIN EN 558, basic series 1
 Flanges acc. to DIN EN 1092-2 type 21
 Spindle sealing: spring-loaded PTFE-V-ring unit for media temperatures up to 250°C
 Alternatively: graphite-packing for media temperatures up to 350°C
 Internal parts: stainless steel, replaceable seat rings
 Flow characteristic: linear
 Positioning ratio: 50:1
 Leakage: < 0,01% Kvs

Actuator: diaphragm area 250 cm², ø250 mm
 Control signal / closing pressure: see table
 Operating mode (reversible):
 "Spring closes straightway A-AB"
 Air connection: G1/4"
 Operating pressure: standard type: 1,6 bar
 other types: ...c: 3 bar, ...d: 6 bar

Accessories, special types:
 I/P-Positioner, control signal 4...20 mA (see page 390 8)
 P/P-Positioner, control signal 0,2...1,0 bar (see page 390 5)
 Electro-pneum. transformer (see page 390 3)
 Solenoid valve for operating air (see page 393)
 Limit switches (see page 39e)
 Inductive limit switches (on request)
 Manual operating device (see page 39h)
 Other Kvs- values (on request)
 Weld-on ends (on request)
 Flange drillings acc. to ANSI / JIS (on request)

Order text:
 Pneumatic control valve in three way form, with mixing plug
 EN-GJS-400-18-LT (GGG-40.3), PN . . . , DN . . . , Kvs . . .
 Spindle sealing with PTFE-V-ring unit
 Spring closes (opens) straightway A-AB
 Control signal . . . - . . . bar, closing pressure . . . bar
 List-No. 331 . . . , accessories: . . .



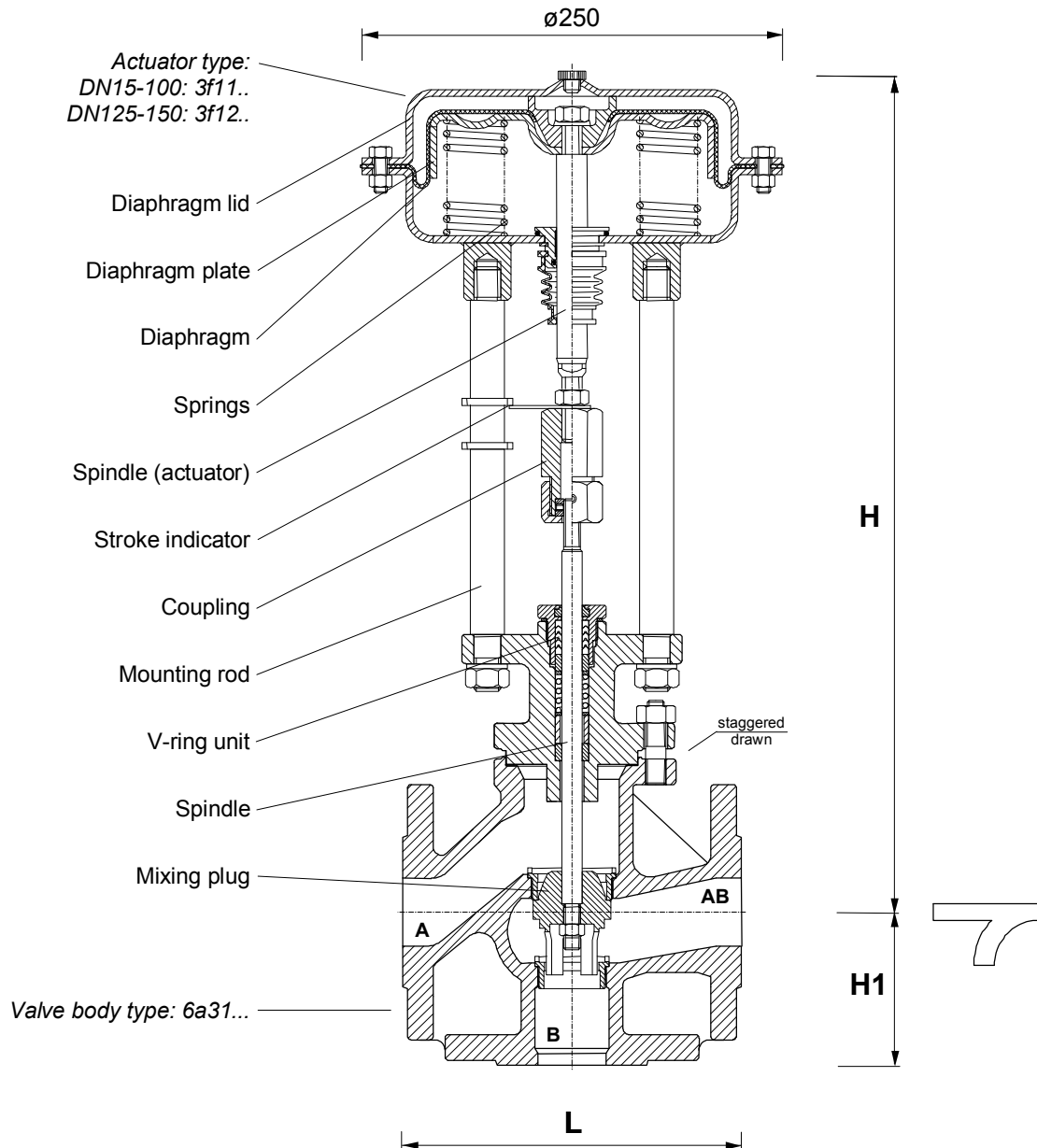
Pressure-temperature ratings acc. to DIN EN 1092-2:

by:	-10...120	150	200	250	300	350	°C*
PN 16	16	15,5	14,7	13,9	12,8	11,2	bar
PN 25	25	24,3	23	21,8	20	17,5	bar

* = max. 250°C for spindle sealing with PTFE-V-ring unit

DN	List-No.		Kvs m ³ /h	Stroke mm	Closing pressure* (bar) for control signal...		
	PN 16	PN 25			0,4...1,2bar: standard	1,0...2,0bar: type ...c	2,0...4,0bar: type ...d
15	331 400.	331 500.	4	20	17,9	25,0	
20	331 401.	331 501.	6,3	20	17,9	25,0	
25	331 402.	331 502.	10	20	11,1	25,0	
32	331 403.	331 503.	16	20	6,3	22,8	25,0
40	331 404.	331 504.	25	20	3,6	14,4	25,0
50	331 405.	331 505.	40	20	1,9	8,9	20,7
65	331 406.	331 506.	63	30	0,6	4,8	11,9
80	331 408.	331 508.	100	30		3,0	7,7
100	331 410.	331 510.	160	30		1,7	4,7
125	331 412.	331 512.	230	35		0,7	2,5
150	331 415.	331 515.	330	38			1,6

* higher closing pressures and DN>200 on request, DN200: see page 3314/520Sg
 data subject to alteration



DN	15	20	25	32	40	50	65	80	100	125	150
Height H	458	472	466	473	480	483	525	526	533	685	700
Stud length H1	65	70	75	80	90	100	120	130	150	200	210
Length L	130	150	160	180	200	230	290	310	350	400	480
Weight kg	17	18	19	22	23	26	42	47	61	115	137