

Body: EN-GJS-400-18-LT (GGG-40.3), two way form
for water and steam
Pressure range: PN 16, PN 25
Immersion length acc. to DIN EN 558, basic series 1
Flanges acc. to DIN EN 1092-2 type 21
Spindle sealing: spring-loaded PTFE-V-ring unit
for media temperatures up to 250°C
Alternatively: graphite-packing
for media temperatures up to 350°C
Internal parts: stainless steel, replaceable seat rings
Flow characteristic: equal percentage
Positioning ratio: 50:1
Leakage: < 0,01% Kvs

Actuator: with manual emergency operation
and load dependent limit switches
Thrust: 2000 N
Power input: 12 VA
Alternatively: 4000 N / 28 VA (appendix ...c)
5500 N / 28 VA (appendix ...d)
Power supply: 230V/50...60Hz
Optionally: 115V/50...60Hz, 24V/50...60Hz, 24VDC
Motor rating standard acc. to DIN EN 60034-1: S1 – 100%
Protection class acc. to DIN EN 60529: IP65

Accessories, special types:
Add. limit switches load dependent (see page 49e)
Add. signal switches travel dependent (see page 49w)
Feedback potentiometer (see page 49f)
Integrated positioner (see page 49sr)
Integrated process controller (see page 49r)
Feedback signal 4-20mA / 0-10V
Actuator heater (on request)
Other positioning speed (on request)
Other Kvs- values (see page 4214/5red1/2)
Weld-on ends (on request)
Flange drillings acc. to ANSI / JIS (on request)

Order text:
Motor control valve in two way form
EN-GJS-400-18-LT (GGG-40.3), PN . . , DN . . , Kvs . . .
Spindle sealing with PTFE-V-ring unit
Power supply . . . , closing pressure . . . bar
List-No. 421 . . . , accessories . . .



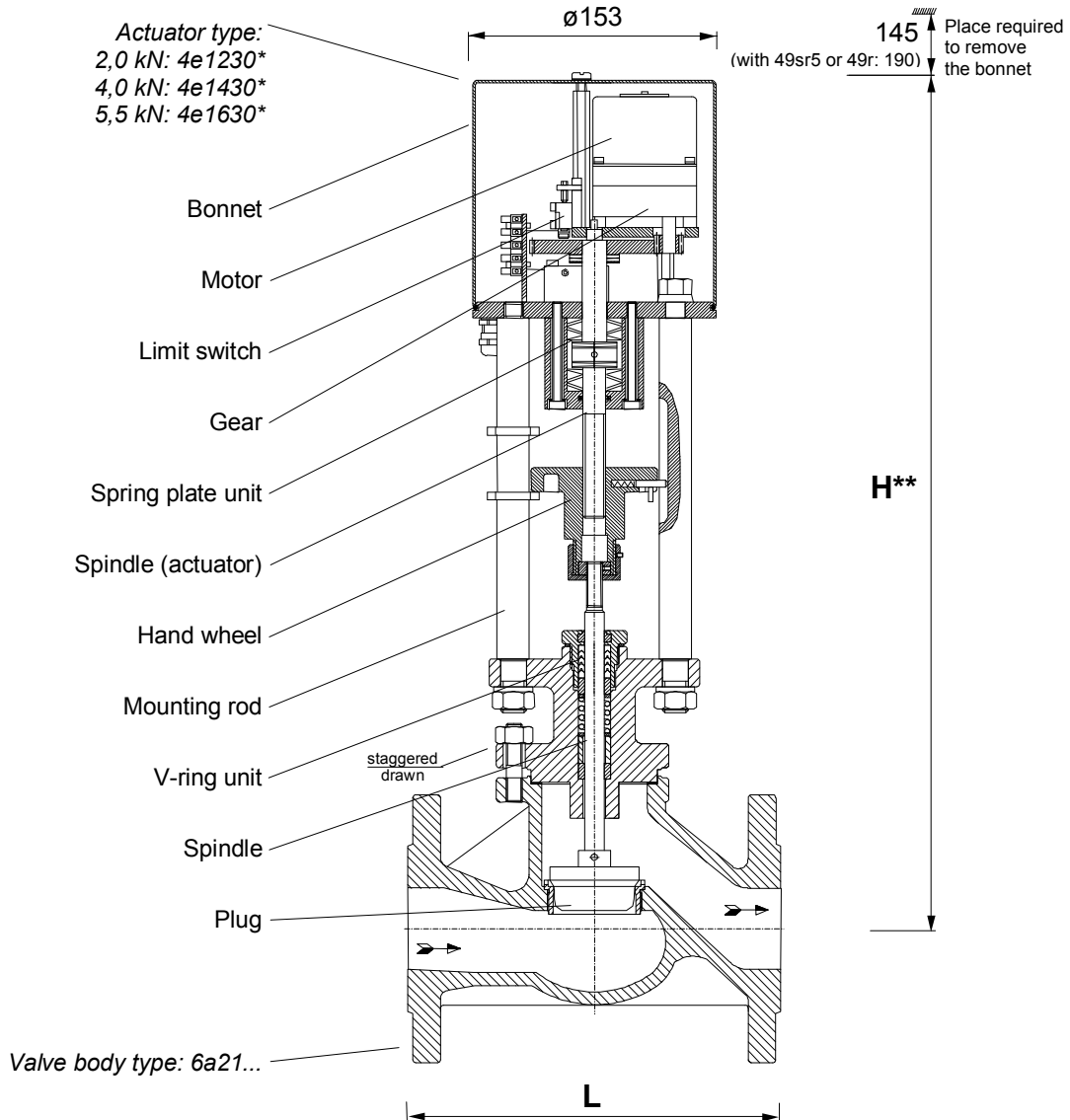
Pressure-temperature ratings acc. to DIN EN 1092-2:

by:	-10...120	150	200	250	300	350	°C*
PN 16	16	15,5	14,7	13,9	12,8	11,2	bar
PN 25	25	24,3	23	21,8	20	17,5	bar

* = max. 250°C for spindle sealing with PTFE-V-ring unit

DN	List-No.		Kvs m³/h	Stroke mm	Pos. time sec	Closing pressure* (bar)		
	PN 16	PN 25				2000N	4000N	5500N
15	421 400	421 500	4	20	66	25,0		
20	421 401	421 501	6,3	20	66	25,0		
25	421 402	421 502	10	20	66	25,0		
32	421 403.	421 503.	16	20	66	17,3	25,0	
40	421 404.	421 504.	25	20	66	10,8	25,0	
50	421 405.	421 505.	40	20	66	6,6	16,0	23,0
65	421 406.	421 506.	63	30	100	3,4	9,1	13,3
80	421 408.	421 508.	100	30	100	2,0	5,8	8,6
100	421 410.	421 510.	160	30	100	1,1	3,5	5,4
125	421 412.	421 512.	230	60	198		2,1	3,3
150	421 415.	421 515.	330	60	198		1,3	2,1

* for higher closing pressures see page 4214/5Heh, bigger DN on request



DN	15	20	25	32	40	50	65	80	100	125	150
Height H**	491	505	499	506	511	513	556	557	564	720	735
Length L	130	150	160	180	200	230	290	310	350	400	480
Weight kg	14	15	16	17	18	21	35	38	48	100	109

* = only for DN 15-100; actuators for DN 125-150: 4e1466 (4kN) and 4e1666 (5,5kN)

** = add. 45mm for actuators with positioner 49sr5 or controller 49r

Electrical wiring:

